

# specification

## Enepro

---

### 8 Watt Fixtures

### Description

---

#### 22°

ENLED-8-30-22-RW	8 Watt, Warm White, 22° Round White
ENLED-8-30-22-RS	8 Watt, Warm White, 22° Round Silver
ENLED-8-30-22-SW	8 Watt, Warm White, 22° Square White
ENLED-8-30-22-SS	8 Watt, Warm White, 22° Square Silver
ENLED-8-30-22-RW-D	8 Watt, Warm White, 22° Round White Darklighter
ENLED-8-30-22-RS-D	8 Watt, Warm White, 22° Round Silver Darklighter
ENLED-8-30-22-SW-D	8 Watt, Warm White, 22° Square White Darklighter
ENLED-8-30-22-SS-D	8 Watt, Warm White, 22° Square Silver Darklighter

#### 36°

ENLED-8-30-36-RW	8 Watt, Warm White, 36° Round White
ENLED-8-30-36-RS	8 Watt, Warm White, 36° Round Silver
ENLED-8-30-36-SW	8 Watt, Warm White, 36° Square White
ENLED-8-30-36-SS	8 Watt, Warm White, 36° Square Silver
ENLED-8-30-36-RW-D	8 Watt, Warm White, 36° Round White Darklighter
ENLED-8-30-36-RS-D	8 Watt, Warm White, 36° Round Silver Darklighter
ENLED-8-30-36-SW-D	8 Watt, Warm White, 36° Square White Darklighter
ENLED-8-30-36-SS-D	8 Watt, Warm White, 36° Square Silver Darklighter

#### 60°

ENLED-8-30-60-RW	8 Watt, Warm White, 60° Round White
ENLED-8-30-60-RS	8 Watt, Warm White, 60° Round Silver
ENLED-8-30-60-SW	8 Watt, Warm White, 60° Square White
ENLED-8-30-60-SS	8 Watt, Warm White, 60° Square Silver

### 16 Watt Fixtures

### Description

---

#### 22°

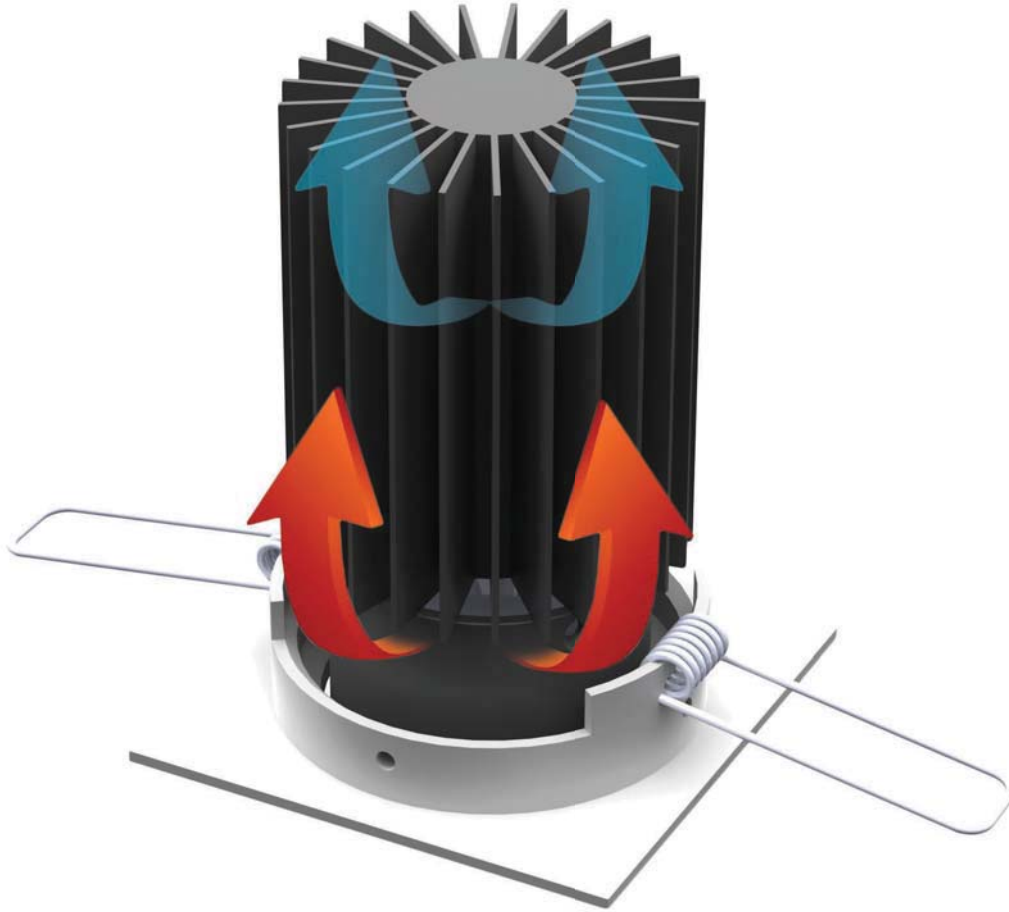
ENLED-16-30-22-RW	16 Watt, Warm White, 22° Round White
ENLED-16-30-22-RS	16 Watt, Warm White, 22° Round Silver
ENLED-16-30-22-SW	16 Watt, Warm White, 22° Square White
ENLED-16-30-22-SS	16 Watt, Warm White, 22° Square Silver
ENLED-16-30-22-RW-D	16 Watt, Warm White, 22° Round White Darklighter
ENLED-16-30-22-RS-D	16 Watt, Warm White, 22° Round Silver Darklighter
ENLED-16-30-22-SW-D	16 Watt, Warm White, 22° Square White Darklighter
ENLED-16-30-22-SS-D	16 Watt, Warm White, 22° Square Silver Darklighter

#### 36°

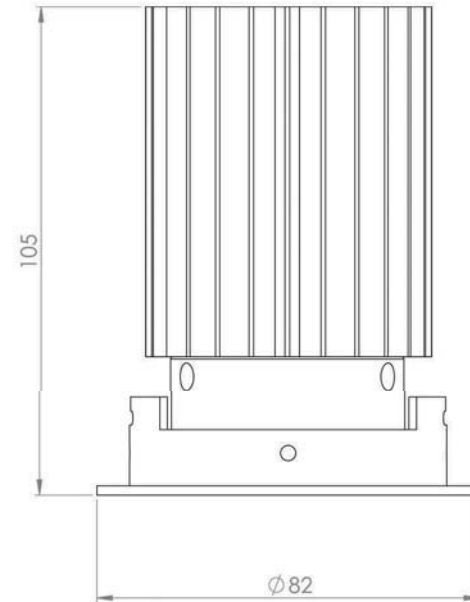
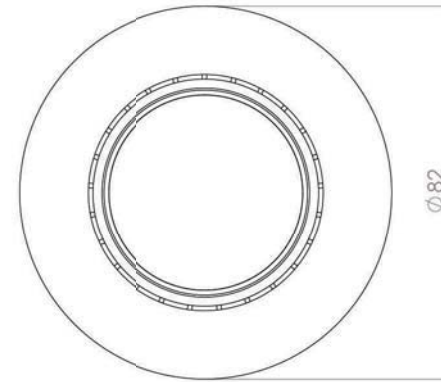
ENLED-16-30-36-RW	16 Watt, Warm White, 36° Round White
ENLED-16-30-36-RS	16 Watt, Warm White, 36° Round Silver
ENLED-16-30-36-SW	16 Watt, Warm White, 36° Square White
ENLED-16-30-36-SS	16 Watt, Warm White, 36° Square Silver
ENLED-16-30-36-RW-D	16 Watt, Warm White, 36° Round White Darklighter
ENLED-16-30-36-RS-D	16 Watt, Warm White, 36° Round Silver Darklighter
ENLED-16-30-36-SW-D	16 Watt, Warm White, 36° Square White Darklighter
ENLED-16-30-36-SS-D	16 Watt, Warm White, 36° Square Silver Darklighter

#### 60°

ENLED-16-30-60-RW	16 Watt, Warm White, 60° Round White
ENLED-16-30-60-RS	16 Watt, Warm White, 60° Round Silver
ENLED-16-30-60-SW	16 Watt, Warm White, 60° Square White
ENLED-16-30-60-SS	16 Watt, Warm White, 60° Square Silver



The fixture is fitted with a purpose built heat sink to ensure the operating temperature is within the design parameters for the LED unit. Without efficient thermal management the temperature of the LED rises and causes the LED characteristics to change eg. Efficiency, CRI, light colour, brightness as well as a significantly shortened LED life.

**colour options**

white | silver | black

\*other colours available on request

**ip rating**

20

**approvals**

SSL | LM79

**power output options**

8 watt | 16 watt

**beam options**

22° | 36° | 60°

**luminaire performance**

742 lumens

**CRI (colour rendering index)**

85

**dimming options**

DALI | DSI | analogue

**colour temp**

3000K

**hole cut out**

77mm